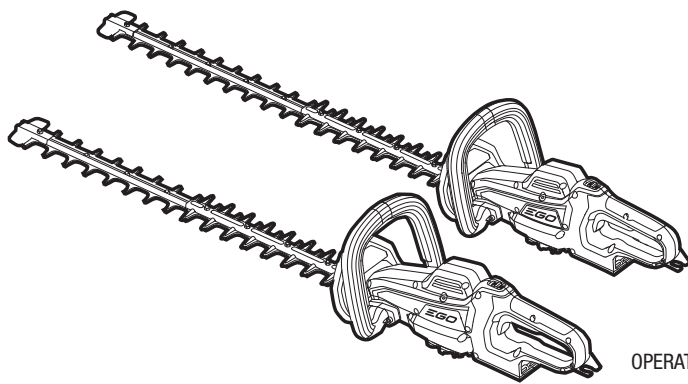


EGO™

POWER⁺ HEDGE TRIMMER

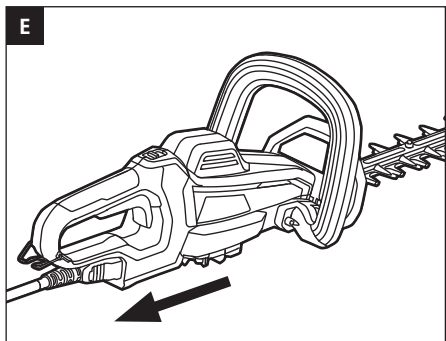
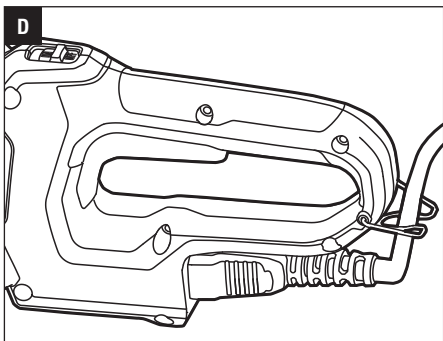
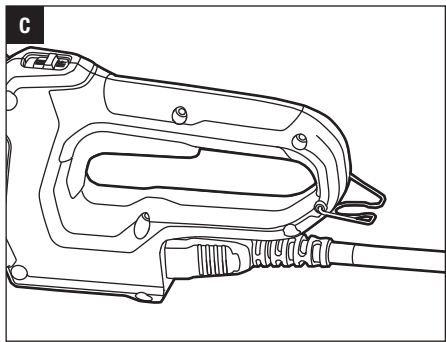
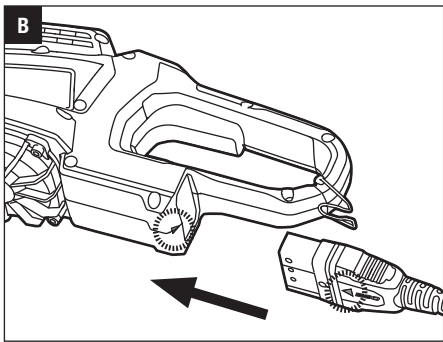
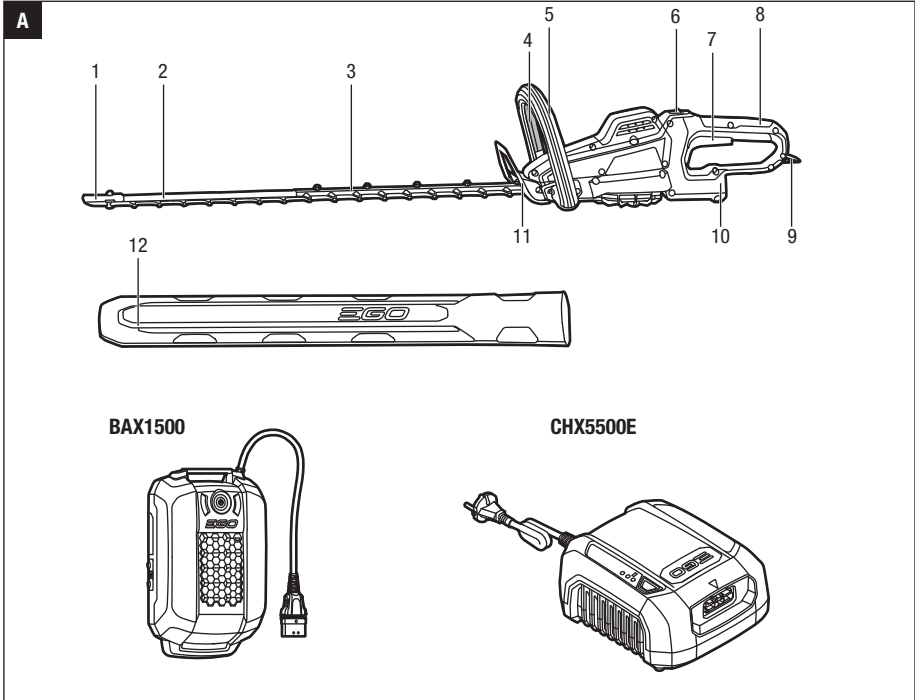


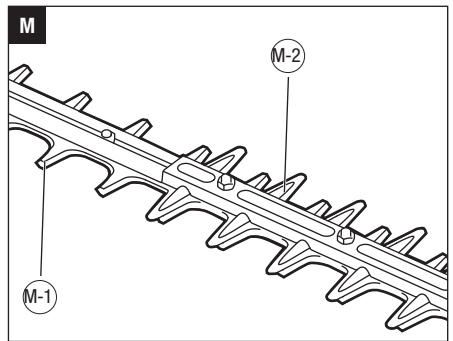
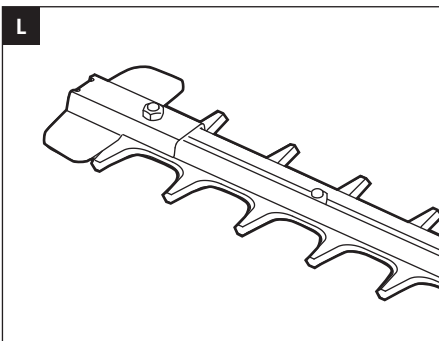
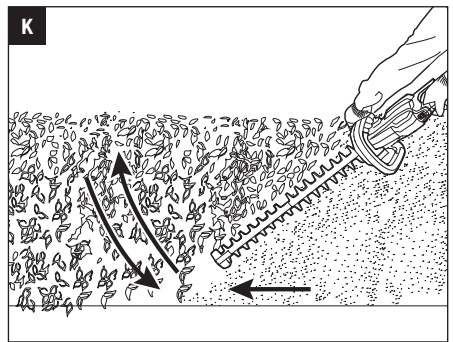
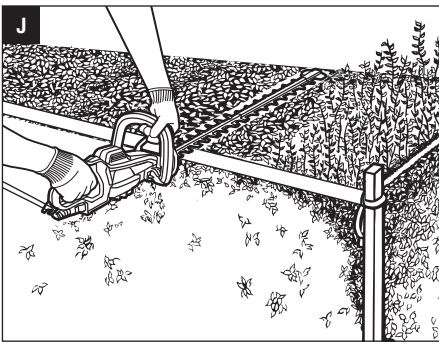
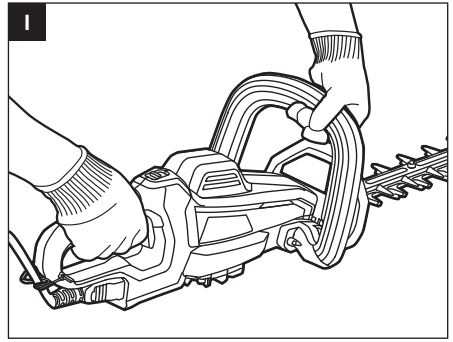
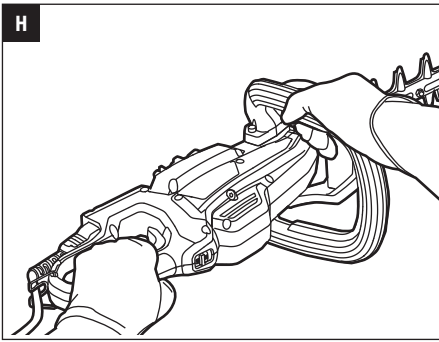
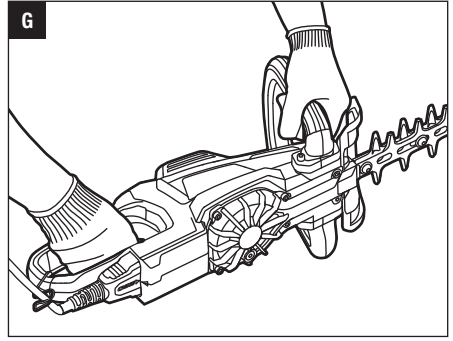
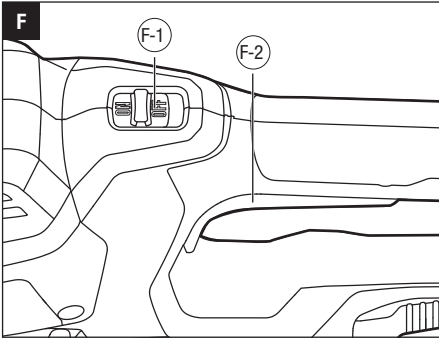
OPERATOR'S MANUAL

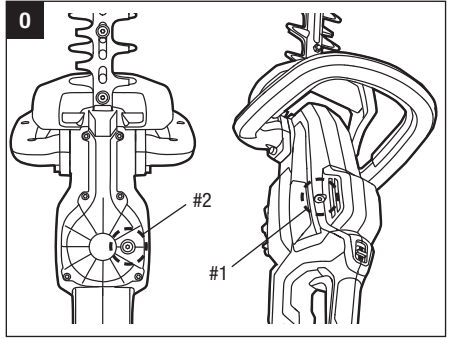
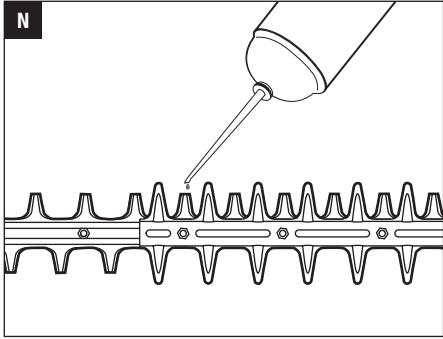
56 VOLT LITHIUM-ION CORDLESS HEDGE TRIMMER

MODEL NUMBER HTX6500/HTX7500

EN	56 Volt lithium-ion cordless hedge trimmer	5	LT	56 voltų ličio jonų belaidis gyvatvorių pjūklas	160
DE	Kabellose heckenschere 56 Volt	13	LV	56 voltu litija jonu bezvadu dzīvžoga šķērēis	168
FR	Taille-daie sans fil lithium-ion 56V	22	GR	Ασυρματο ψαλίδι μπουρντοურας λιθίου - ιοντων 56 volt	177
ES	Cortasetos inalámbrico de 56 voltios	31	TR	56 volt lityum-iyon kablosuz çit budama makinesi	186
PT	Corta-sebes sem fios de 56 volts	41	ET	56-voldise liitiumioonakuga juhtmeta hekitrimmer	194
IT	Tagliasiepi senza fili li-ion 56 volt	50	UK	56-вольтний літій-іонний акумуляторний тример для живоплоту	202
NL	56 Volt lithium-ion accuheggenschaar	59	BG	Ножница За Жив Плет	211
DK	56 Volt lithium-ion akku hækkeklipper	68	HR	Bežični šišač živice s 56-voltnom litij-ionskom baterijom	220
SE	56 Volt lithium-ion-batteri sladdlös häcktrimmer	76	KA	56 ვოლტიანი ლითიუმ-იონის აკუმულატორიანი უსადენო ბუჩქის საკრეჭი	228
FI	56 Voltin litium-ion akkukäyttöinen pensasleikkuri	84	SR	Bežični trimer za živicu sa litijum-jonskom baterijom od 56 volti	241
NO	56 Volt lithium-ion hekktrimmer uten ledning	92	BS	Akumulatorske makaze za živicu s litij-ionskom baterijom od 56 V	250
RU	Беспроводной кусторез литий-ионным аккумулятором 56в	100	HE	גזום גדרות אלחוטי עם סוללת ליטיום-יון 56 וולט	259
PL	Bezprzewodowe nożyce do żywoplotu z baterią litowo-jonową 56 woltów	110	AR	جهازة سياح لاسلكية بطارية ليثيوم-أيون 56 فولت	267
CZ	56 voltová lithium-iontová bezdrátové nůžky na živé ploty	119			
SK	56v litium-ióňová bezdrátové nožnice na živé ploty	127			
HU	56 voltos vezeték nélküli lítium-ion sövénynyíró	135			
RO	Trimmer fără fir pentru gard viu cu acumulator de litiu ion de 56 volți	144			
SL	56-voltni litij-ionski brezžični obrezovalnik žive meje	152			







READ ALL INSTRUCTIONS!



READ OPERATOR'S MANUAL

⚠ WARNING: Residual risk! People with electronic devices, such as pacemakers, should consult their physician(s) before using this product. Operation of electrical equipment in close proximity to a heart pacemaker could cause interference or failure of the pacemaker.

⚠ WARNING: To ensure safety and reliability, all repairs and replacements should be performed by a qualified service technician.

SAFETY SYMBOLS

The purpose of safety symbols is to attract your attention to possible dangers. The safety symbols and the explanations with them deserve your careful attention and understanding. The symbol warnings do not, by themselves, eliminate any danger.

The instructions and warnings they give are no substitutes for proper accident prevention measures.

⚠ WARNING: Be sure to read and understand all safety instructions in this Operator's Manual, including all safety alert symbols such as **"DANGER," "WARNING,"** and **"CAUTION"** before using this tool. Failure to follow all instructions listed below may result in electric shock, fire, and/or serious personal injury.

SYMBOL MEANING

SAFETY ALERT SYMBOL: Indicates **DANGER,** **WARNING,** or **CAUTION.** May be used in conjunction with other symbols or pictographs.

⚠ WARNING: The operation of any power tools can result in foreign objects being thrown into your eyes, which can result in severe eye damage. Before beginning power tool operation, always wear safety goggles or safety glasses with side shields and a full face shield when needed. We recommend a Wide Vision Safety Mask for use over eyeglasses or standard safety glasses with side shields.

SAFETY INSTRUCTIONS

This page depicts and describes safety symbols that may appear on this product. Read, understand, and follow all instructions on the machine before attempting to assemble and operate.

	Safety Alert	Indicates a potential personal injury hazard.
	Read Operator's Manual	To reduce the risk of injury, user must read the operator's manual.
	Do Not Expose To Rain	Do not use in the rain or leave outdoors while it is raining.
	Keep hands and feet away from the cutting tool	Never attempt to operate your power tool with one hand. Loss of control of the power tool resulting in serious or fatal injury may result. To reduce the risk of cut injuries, keep hands and feet away from the cutting tool. Never attach a moving cutting tool with your hand or any other part of your body.
	Wear Eye Protection	Always wear safety goggles or safety glasses with side shields and a full face shield when operating this product
	Noise	Guaranteed sound power level. Noise emission to the environment according to the European community's Directive.
	CE	This product is in accordance with applicable EC directives.
	WEEE	Waste electrical products should not be disposed of with household waste. Take to an authorized recycler.
	Blade Length	The length of the blade
	Cutting Capacity	Max. Cutting capacity of the blade
	Volt	Voltage
	Direct Current	Type or a characteristic of current

.../min	Per Minute	Revolutions per minute
mm	millimeter	Length or size
cm	Centimeter	Length or size
n_0	No Load Speed	Rotational speed, at no load

GENERAL POWER TOOL SAFETY WARNINGS

⚠ WARNING: Read all safety warnings, instructions, illustrations and specifications provided with this power tool. Failure to follow all instructions listed below may result in electric shock, fire and/or serious injury.

Save all warnings and instructions for future reference.

The term “power tool” in the warning refers to your mains-operated (corded) power tool or battery-operated (cordless) power tool.

WORK AREA SAFETY

- **Keep work area clean and well lit.** Cluttered or dark areas invite accidents.
- **Do not operate power tools in explosive atmospheres, such as in the presence of flammable liquids, gases or dust.** Power tools create sparks which may ignite the dust or fumes.
- **Keep children and bystanders away while operating a power tool.** Distractions can cause you to lose control.

ELECTRICAL SAFETY

- **Power tool plugs must match the outlet. Never modify the plug in any way. Do not use any adapter plugs with earthed (grounded) power tools.** Unmodified plugs and matching outlets will reduce risk of electric shock.
- **Avoid body contact with earthed or grounded surfaces, such as pipes, radiators, ranges and refrigerators.** There is an increased risk of electric shock if your body is earthed or grounded.
- **Do not expose power tools to rain or wet conditions.** Water entering a power tool will increase the risk of electric shock.
- **Do not abuse the cord from battery pack . Never use the cord for carrying, pulling or unplugging the power tool. Keep cord away from heat, oil, sharp edges or moving parts.** Damaged or entangled cords increase the risk of electric shock.
- **When operating a power tool outdoors, use an extension cord suitable for outdoor use.** Use of

a cord suitable for outdoor use reduces the risk of electric shock.

- **If operating a power tool in a damp location is unavoidable, use a residual current device (RCD) protected supply.** Use of an RCD reduces the risk of electric shock.

PERSONAL SAFETY

- **Stay alert, watch what you are doing and use common sense when operating a power tool. Do not use a power tool while you are tired or under the influence of drugs, alcohol or medication.** A moment of inattention while operating power tools may result in serious personal injury.
- **Use personal protective equipment. Always wear eye protection.** Protective equipment such as a dust mask, non-skid safety shoes, hard hat, or hearing protection used for appropriate conditions will reduce personal injuries.
- **Prevent unintentional starting. Ensure the switch is in the off-position before connecting to power source and/or battery pack, picking up or carrying the tool.** Carrying power tools with your finger on the switch or energizing power tools that have the switch on invites accidents.
- **Remove any adjusting key or wrench before turning the power tool on.** A wrench or a key left attached to a rotating part of the power tool may result in personal injury.
- **Do not overreach. Keep proper footing and balance at all times.** This enables better control of the power tool in unexpected situations.
- **Dress properly. Do not wear loose clothing or jewelry. Keep your hair and clothing away from moving parts.** Loose clothes, jewelry or long hair can be caught in moving parts.
- **If devices are provided for the connection of dust extraction and collection facilities, ensure these are connected and properly used.** Use of dust collection can reduce dust-related hazards.
- **Do not let familiarity gained from frequent use of tools allow you to become complacent and ignore tool safety principles.** A careless action can cause severe injury within a fraction of a second.

POWER TOOL USE AND CARE

- **Do not force the power tool. Use the correct power tool for your application.** The correct power tool will do the job better and safer at the rate for which it was designed.

- **Do not use the power tool if the switch does not turn it on and off.** Any power tool that cannot be controlled with the switch is dangerous and must be repaired.
- **Disconnect the plug from the power source and/ or remove the battery pack, if detachable, from the power tool before making any adjustment, changing accessories, or storing power tools.** Such preventive safety measures reduce the risk of starting the power tool accidentally.
- **Store idle power tools out of the reach of children and do not allow persons unfamiliar with the power tool or these instructions to operate the power tool.** Power tools are dangerous in the hands of untrained users.
- **Maintain power tools and accessories. Check for misalignment or binding of moving parts, breakage of parts and any other condition that may affect the power tools operation. If damaged, have the power tool repaired before use.** Many accidents are caused by poorly maintained power tools.
- **Keep cutting tools sharp and clean.** Properly maintained cutting tools with sharp cutting edges are less likely to bind and are easier to control.
- **Use the power tool, accessories and tool bites etc. in accordance with these instructions, taking into account the working conditions and the work to be performed.** Use of the power tool for operations different from those intended could result in a hazardous situation.
- **Keep handles and grasping surfaces dry, clean and free from oil and grease.** Slippery handles and grasping surfaces do not allow for safe handling and control of the tool in unexpected situations.

BATTERY TOOL USE AND CARE

- **Recharge only with the charger specified by the manufacturer.** A charger that is suitable for one type of battery pack may create a risk of fire when used with another battery pack.
- **Use power tools only with specifically designated battery packs.** Use of any other battery packs may create a risk of injury and fire.
- **When battery pack is not in use, keep it away from other metal objects, like paper clips, coins, keys, nails, screws or other small metal objects, that can make a connection from one terminal to another.** Shorting the battery terminals together may cause burns or a fire.
- **Under abusive conditions, liquid may be ejected from the battery; avoid contact. If contact accidentally occurs, flush with water. If liquid contacts eyes, additionally seek medical help.** Liquid ejected from the battery may cause irritation or burns.
- **Follow all charging instructions and do not charge the battery pack or tool outside the temperature range specified in the instructions.** Charging improperly or at temperatures outside the specified range may damage the battery and increase the risk of fire.
- **Do not use a battery pack or tool that is damaged or modified.** Damaged or modified batteries may exhibit unpredictable behaviour resulting in fire, explosion or risk of injury.
- **Do not expose a battery pack or tool to fire or excessive temperature.** Exposure to fire or temperature above 100 °C may cause explosion.

SERVICE

- **Have your power tool serviced by a qualified repair person using only identical replacement parts.** This will ensure that the safety of the power tool is maintained.
- **Never service damaged battery pack.** Service of battery packs should only be performed by the manufacturer or authorized service providers.

HEDGE TRIMMER SAFETY WARNINGS

- **Keep all parts of the body away from the cutter blade. Do not remove cut material or hold material to be cut when blades are moving. Make sure the switch is off when clearing jammed material.** A moment of inattention while operating the hedge trimmer may result in serious personal injury.
- **Carry the hedge trimmer by the handle with the cutter blade stopped.** When transporting or storing the hedge trimmer always fit the cutting device cover. Proper handling of the hedge trimmer will reduce possible personal injury from the cutter blades.
- **Hold the power tool by insulated gripping surfaces only, because the cutter blade may contact hidden wiring.** Cutter blades contacting a "live" wire may make exposed metal parts of the power tool "live" and could give the operator an electric shock.
- **Keep battery cable away from cutting area.** During operation the cable may be hidden in shrubs and can be accidentally cut by the blade.
- **Check the hedge for foreign objects before operating, e.g. wire fences.**

- Only use the hedge trimmer with the guard properly assembled. The use of the hedge trimmer without the proper guard may result in serious personal injury.
- Use both hands when operating the hedge trimmer. Using one hand could cause loss of control and result in serious personal injury.**

IMPORTANT SAFETY INSTRUCTIONS

- Do not charge the battery pack in rain, or in wet locations.
- The battery pack must be removed from the appliance before it is scrapped.
- Do not grasp the exposed cutting blades or cutting edges when picking up or holding the hedge trimmer.
- Do not use on a ladder, rooftop, tree, or other unstable support. Stable footing on a solid surface enables better control of the hedge trimmer in unexpected situations.
- Never allow children to operate the hedge trimmer.
- Never remove or tamper with safety devices. Check their proper operation regularly. Never do anything to interfere with the intended function of a safety device or to reduce the protection provided by a safety device.
- Check the blade and motor mounting bolts at frequent intervals for proper tightness. Also, visually inspect blade for damage (e.g., bent, cracked, and worn). Replace the blade only with a blade from EGO™.
- Replace the blade if it is bent or cracked. An unbalanced blade causes vibration that could damage the motor drive unit or cause personal injury.
- If the equipment should start to vibrate abnormally, stop the motor and check immediately for the
- The trimmer shall be used to cut stems less than (33mm) thick.
- Do not wash with a hose; avoid getting water in motor and electrical connections.
- Follow instructions for lubricating and changing accessories.
- Keep handles dry, clean and free from oil and grease.
- Save these instructions. Refer to them frequently and use them to instruct others who may use this tool. If you loan this tool to someone else, also loan these instructions to them to prevent misuse of the product and possible injury.

SAVE THESE INSTRUCTIONS!

SPECIFICATIONS

Voltage	56V ---	56V ---
Blade speed	1800/min	1800/min
Blade length	65cm	75cm
Cutting capacity	33mm	33mm
Blade Model	AHB6500S	AHB7500S
	AHB6500 (Hardened)	AHB7500 (Hardened)
Tool weight	3.9kg	4.0kg
Recommended Operating Temperature	0°C-40°C	0°C-40°C
Recommended Storage Temperature	-20°C-70°C	-20°C-70°C
Measured sound power level L_{WA}	90.1 dB(A) K=2.9 dB(A)	95.4 dB(A) K=1.52 dB(A)
	80.1 dB(A) K=3 dB(A)	83.9 dB(A) K=2.5 dB(A)
Guaranteed sound power level L_{WA} (according to 2000/14/EC)	93 dB(A)	97 dB(A)
Vibration a_{11}	Rear Handle	3.2m/s ² K=1.5m/s ²
	Front Handle	3.9m/s ² K=1.5m/s ²

- The declared vibration total value has been measured in accordance with a standard test method and may be used for comparing one tool with another.
- The declared vibration total value may also be used in a preliminary assessment of exposure.

NOTICE: The vibration emission during actual use of the power tool can differ from the declared value in which the tool is used; in order to protect the operator, user should wear gloves and ear protectors in the actual conditions of use.

PACKING LIST

PART NAME	QUANTITY
Hedge Trimmer	1
Shield	1
Operator's Manual	1

DESCRIPTION

KNOW YOUR HEDGE TRIMMER (Fig. A)

1. Tip Protector
2. Blade
3. Blade Guard
4. Front Switch Lever
5. Front Handle
6. Lock-off Button
7. Rear Switch Lever
8. Rear Handle
9. "U" hook
10. Socket
11. Hand Guard
12. Shield

⚠ WARNING: This product has been shipped completely assembled. The hand guard shall never be removed during use. Once damaged, replace it immediately by a qualified service technician.

⚠ WARNING: The safe use of this product requires an understanding of the information on the tool and in this operator's manual, as well as knowledge of the project you are attempting. Before use of this product, familiarize yourself with all operating features and safety rules.

OPERATION

⚠ WARNING: Do not allow familiarity with this product to make you careless. Remember that a careless fraction of a second is sufficient to inflict serious injury.

⚠ WARNING: Always wear eye protection with side shields, along with hearing protection. Failure to do so could result in objects being thrown into your eyes and other possible serious injuries.

⚠ WARNING: To prevent accidental starting that could cause serious personal injury, always remove the battery pack from the tool when assembling parts, making adjustments, cleaning, or when not in use.

⚠ WARNING: Do not use any attachments or accessories not recommended by EGO™. The use of attachments or accessories not recommended can result in serious personal injury.

Before each use, inspect the entire product for damaged, missing, or loose parts, such as screws, nuts, bolts, caps, etc. Tighten securely all fasteners and caps and do not operate this product until all missing or damaged parts are replaced.

INSTALLING/REMOVING THE BATTERY PACK

Use only with the battery packs and chargers listed in Fig.A

Charge before first use

To Install (Fig. B & C & D)

With aligned ▲ logo respectively on the plug and the hedge trimmer, insert the plug into the hedge trimmer until the green seal completely disappearing into the socket.

Mount the battery cord into the "U" hook.

To Remove (Fig. E)

Release the battery cord from the "U" hook and pull the plug out of the hedge trimmer.

STARTING/STOPPING THE HEDGE TRIMMER

Before operating, remove the shield and hold the trimmer with both hands, one hand on the rear handle and the other on the front handle. Then check for balanced footing, correct posture and a proper cutting distance.

⚠ WARNING: Always keep both hands on the hedge trimmer handles. Never hold shrubs with one hand and operate the hedge trimmer with the other. Failure to heed this warning may result in serious injury.

⚠ WARNING: When stopping the hedge trimmer, switch the lock-off button to position "OFF" before remove the battery pack. Failure to follow this warning may cause serious injury.

To Start

Push the lock-off button to position "ON" (Fig. F) and then press the rear switch level. With rear switch level pressed, continue pressing the front switch lever to start.

Fig. F parts description see below:

F-1	Lock-off Button
F-2	Rear Switch Lever

To Stop

Release either of the switch levers to stop it and switch the lock-off button to position "OFF" to prevent accidental start.

NOTICE: Both switch levers need to be pressed for the hedge trimmer to start.

HOLDING THE HEDGE TRIMMER

With the blade away from you, hold the trimmer with two hands, separately grasping the front and the rear handle. Three holding directions can suit for different cutting operations (Fig. G & H & I).

USING THE HEDGE TRIMMER

⚠ WARNING: If the blade jams on any electrical cord or line, **DO NOT TOUCH THE BLADE! IT CAN BECOME ELECTRICALLY LIVE AND VERY DANGEROUS.** Continue to hold the hedge trimmer by the insulated rear handle or lay it down and away from you in a safe manner. Disconnect the electrical service to the damaged line or cord before attempting to free the blade from the line or cord. Failure to heed this warning will result in serious personal injury or possible death.

⚠ WARNING: To prevent serious personal injury, keep hands away from blades. Do not attempt to remove cut material or hold material to be cut when the blades are moving. Make sure that the blades have totally stopped and the battery pack is removed before clearing jammed material from blades. Do not grasp the exposed cutting blades or cutting edges when picking up or holding the unit.

⚠ WARNING: Clear the area to be cut before each use. Remove all objects, such as cords, lights, wire, or string which can become entangled in the cutting blade and create a risk of serious personal injury.

⚠ WARNING: Avoid trimming too much at one time or through the heavy shrubbery. This can cause the blades to bind and slow, reducing the cutting efficiency.

NOTICE: For new growth, a wide sweeping is suitable for the stems fed directly into the cutting blade. For older growth, a sawing movement is good for trimming the thicker stems. A non-powered hand saw or pruning saw is suggested for trimming the large stems first.

Top Cutting

Use a wide sweeping motion. A slight downward tilt of the cutting blades in the direction of motion gives the best cutting results. For better cutting effect, you might as well use the string to guide the hedge level as Fig. J shown.

Side Cutting

When trimming the sides of the hedge, begin at the bottom and cut upwards as Fig. K shown.

Tip Protector

The tip protector (Fig. L) is used to protect the outer end of the blade.

Blade Guard

The outer part of the blades is shaped as blade guards (Fig. M).

Fig. M parts description see below:

M-1	Blade
M-2	Blade Guard

⚠ WARNING: Always check that the blade guard is not damaged or distorted. Replace it if it is bent or damaged.

MAINTENANCE

⚠ WARNING: When servicing, use only identical replacement parts. Use of any other parts may create a hazard or cause product damage. To ensure safety and reliability, all repairs should be performed by a qualified service technician.


⚠ WARNING: To avoid serious personal injury, always remove the battery pack from the product when cleaning or performing any maintenance.

CLEANING

- Use a soft brush to remove debris from all air intakes and cutting blade.
- To remove pitch and other sticky residue, spray the blades with resin solvent. Run the motor briefly so that the solvent is evenly distributed.
- Wipe the surface with a dry cloth.

⚠ WARNING: Never use water for cleaning your trimmer. Avoid using solvents when cleaning plastic parts. Most plastics are susceptible to damage from various types of commercial solvents. Use clean clothes to remove dirt, dust, oil, grease, etc.

SHARPENING THE CUTTING BLADE

1. Remove the battery pack from your hedge trimmer.
2. AHB6500S/AHB7500S: Clamp the blade assembly in a vise and file the exposed cutting surface of each blade tooth. Remove as little material as possible. AHB6500/AHB7500 (With “” and “HARDENED” on the blade surface): Clamp the blade assembly in a vise and sharpen the exposed cutting surface with a diamond file or low-speed grinder (Rotate speed <math><2500 \text{ min}^{-1}</math>, Feed speed <math><60 \text{ mm/min}</math>, Mesh number > 100). Removing as little material as possible.

- Remove the hedge trimmer from the vise and adjust the unsharpened blade on the other side exposed.
Repeat the above procedures until all the blade teeth sharpened.

NOTICE: Do not operate your hedge trimmer with dull or damaged cutting blades. This may cause overload and will give unsatisfactory cutting results.

NOTICE: A normal metal file is not applicable to sharpen AHB6500/AHB7500 special blade.

NOTICE: When use a low-speed grinder (Rotate speed <math><2500 \text{ min}^{-1}</math>) to sharpen cutting blade, keep watering the blade teeth continuously during grinding.

LUBRICATING THE HEDGE TRIMMER

⚠ WARNING: Do not lubricate while the hedge trimmer is still connected with battery or running.

Lubricating the blade

For best operation and longer blade life, lubricate the hedge trimmer blade with light weight machine oil before and after each use.

Remove the battery pack and lay the trimmer onto a flat surface. Apply the oil along the edge of the top blade (Fig. N).

Lubricating the gear case

For best operation and longer lifetime, lubricate the hedge trimmer gear case with a special grease (5-6g in #1 and 10-12g in #2 each time) after every 50 hours operation. The special grease should meet the following requirements.

- Belong to DIN51818: NLGI-2 cone penetration degree.
- Composed of polyurea thickeners + synthetic lubricating oil
- Excellent low-temperature startup, EP, mechanical shearing, abrasion resistance and oxidative stability properties.
- Operation temperature must contain $-40\sim 180^{\circ}\text{C}$.

Remove the battery plug and the two sealing screws (Fig. O). Lubricating the gear case through the oil-hole.

NOTICE: Don't fully fill the gear case with grease.

TRANSPORTING AND STORING

- Always place the shield on the blade before storing or transporting the hedge trimmer. Use caution to avoid the sharp teeth of the blade.
- Clean the hedge trimmer thoroughly before storing.
- Store the hedge trimmer indoors, in a dry place that is inaccessible to children.
- Keep away from corrosive agents such as garden chemicals and deicing salts.

⚠ WARNING: Blades are sharp. When handling the blade assembly, wear non-slip, heavy-duty protective gloves. Do not place your hand or fingers between blades or in any position where they could get pinched or cut. NEVER touch blades or service the unit with battery pack installed.

Protecting the environment



Do not dispose of electrical appliances as unsorted municipal waste, use separate collection facilities.

According to the European law 2012/19/EU, electrical and electronic equipment that is no longer usable, and according to the European law 2006/66/EC, defective or used battery packs/batteries, must be collected separately.

If electrical appliances are disposed of in landfills or dumps, hazardous substances can leak into the groundwater and get into the food chain, damaging your health and well-being.

PROBLEM	CAUSE	SOLUTION
Hedge Trimmer does not work.	<ul style="list-style-type: none"> ■ The battery pack is not attached to the hedge trimmer or no electrical contact between the hedge trimmer and battery. 	<ul style="list-style-type: none"> ■ Reinsert the battery plug into the hedge trimmer.
	<ul style="list-style-type: none"> ■ The battery pack is depleted. 	<ul style="list-style-type: none"> ■ Charge the battery pack with the specified charger.
	<ul style="list-style-type: none"> ■ The lock button has not pushed to position "ON" before pressing the switch levels. 	<ul style="list-style-type: none"> ■ Before using the trimmer, confirm the lock button is unlocked.
	<ul style="list-style-type: none"> ■ The battery pack or hedge trimmer is too hot. 	<ul style="list-style-type: none"> ■ Allow the battery pack or hedge trimmer to cool until the temperature to normal temperature.
	<ul style="list-style-type: none"> ■ The blade is jammed. 	<ul style="list-style-type: none"> ■ Remove the battery pack from the tool. Remove the obstruction carefully and then reinsert the battery and restart the tool.
	<ul style="list-style-type: none"> ■ The hedge trimmer is overload. 	<ul style="list-style-type: none"> ■ Reduce the load of the machine.
Excessive vibration or noise.	<ul style="list-style-type: none"> ■ Dry or corroded blades. 	<ul style="list-style-type: none"> ■ Lubricate the blades.
	<ul style="list-style-type: none"> ■ Blades or blade support is bent. 	<ul style="list-style-type: none"> ■ Replace with a new blade or support. Contact EGO service center for blade or support replacement.
	<ul style="list-style-type: none"> ■ Bent or damaged teeth. 	<ul style="list-style-type: none"> ■ Replace with a new blade. Contact EGO service center for blade replacement.
	<ul style="list-style-type: none"> ■ Loose blade bolts. 	<ul style="list-style-type: none"> ■ Tighten the blade bolts. Using a wrench, turn the bolt clockwise to tighten.

WARRANTY

EGO WARRANTY POLICY

Please visit the website egopowerplus.com for full terms and conditions of the EGO Warranty policy.